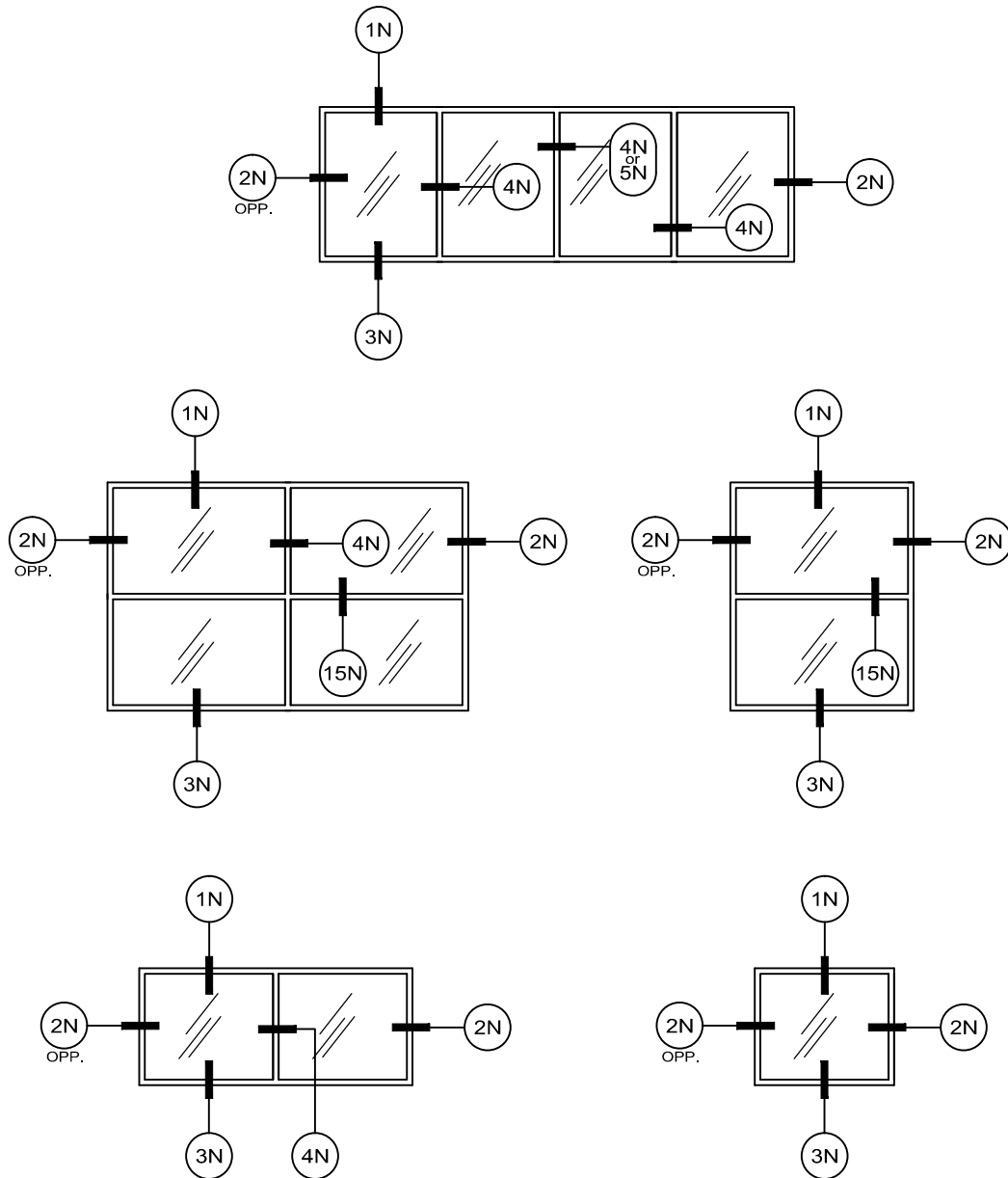
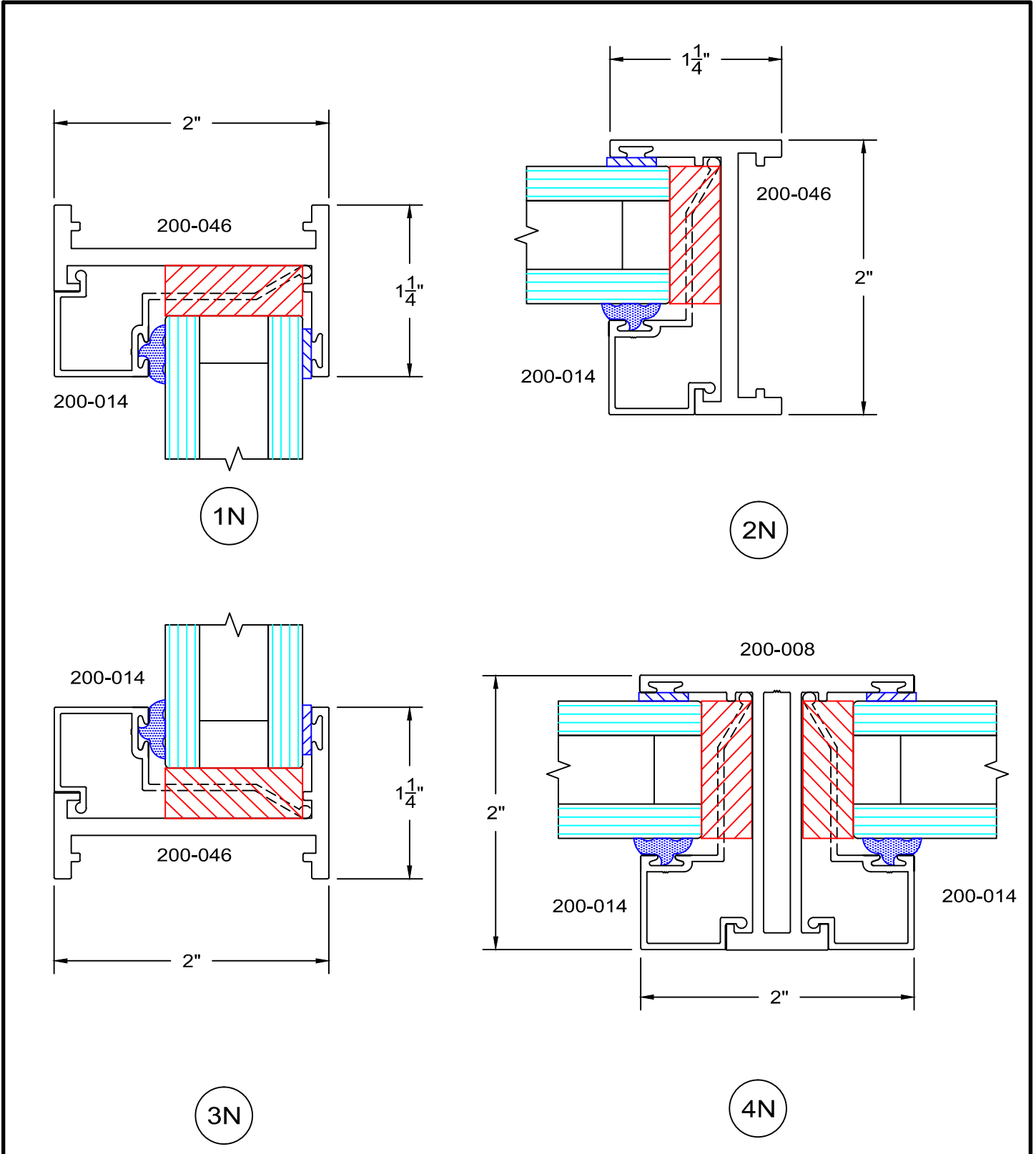


# 200 Series - short equal leg Fixed elevations Outside glazed



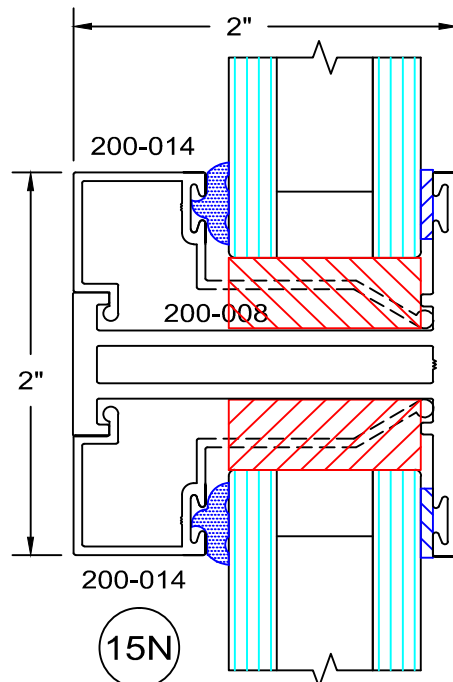
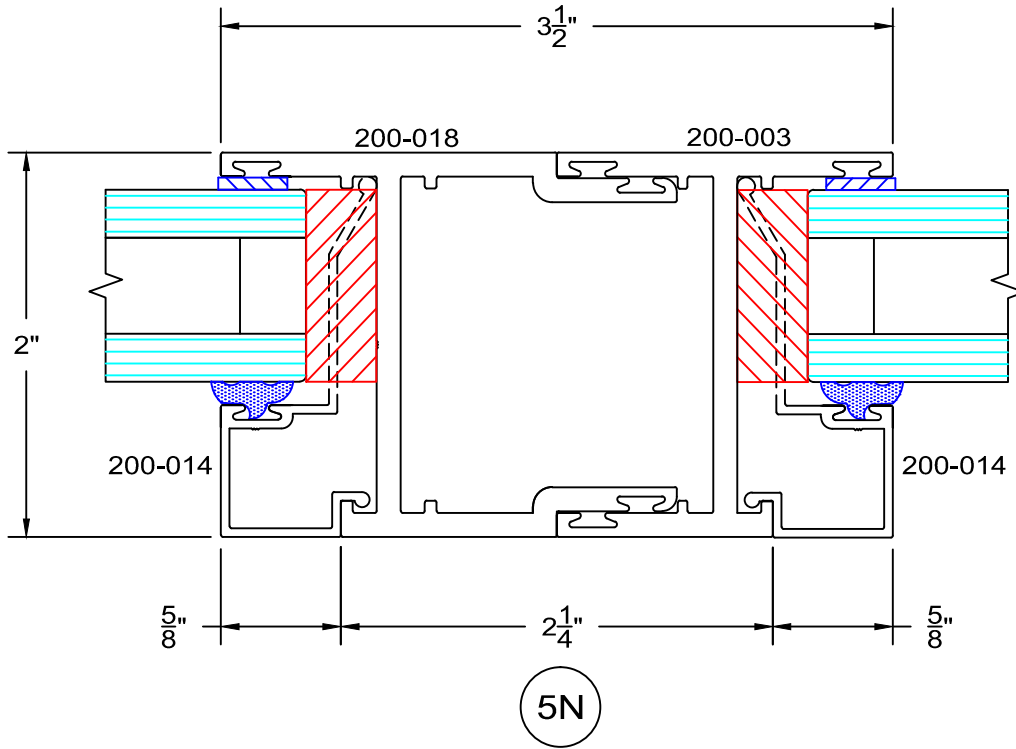
# 200 Series - short equal leg Fixed details Outside glazed

full scale



# 200 Series - short equal leg Fixed details Outside glazed

full scale



N3